

Palm grip B30



The palm grip B30 has different equipment options for many requirements. It is compatible with our multi-axis controller or mounted on hydraulic drives. The palm grip has a highly flexible single wire (0,1mm², 450mm long). The mounting piece for the drive rod can be supplied with a tapped hole 12mm (standard) or 10mm.



Technical data

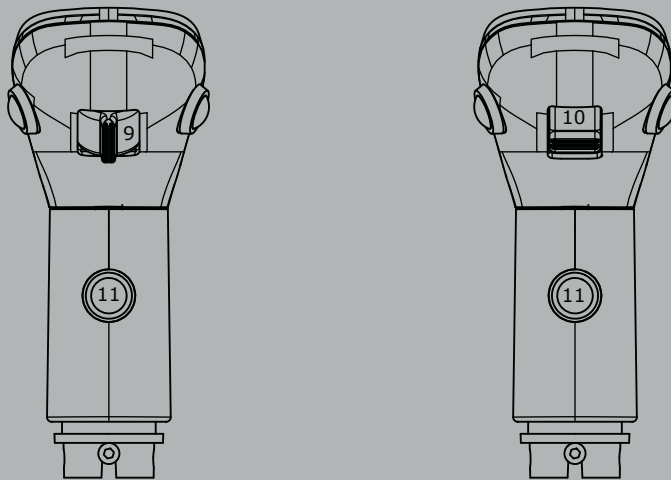
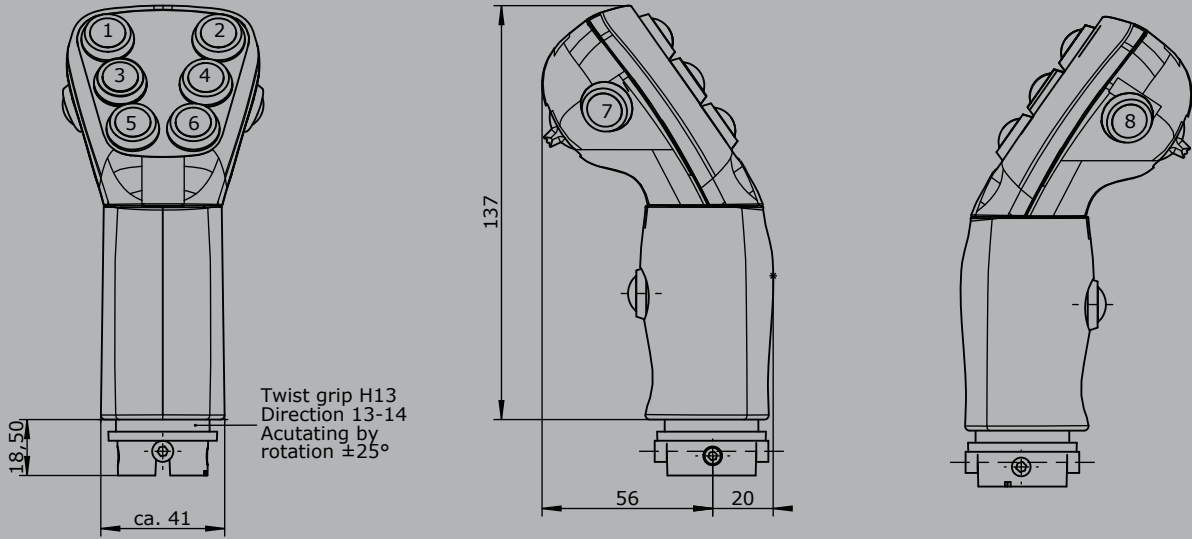
Operating temperature	-40°C to +60°C
Degree of protection	IP65
Contact complement	1,5A 24V DC 13 (*1 0,1A 24V DC13)

		B30	- 2D	W	SR	SE	S12	H13	- X
Basic unit									
B30	Palm grip								
Digitale actuating element									
D	Push button KDA21 *1 Colour: red, black, yellow, green, blue, white, orange								
HD	Hall-push button (see page 144)								
W	Rocker switch T-0-T								
W	Rocker switch 0-T								
W	Rocker switch R-0-T								
W	Rocker switch R-0-R								
W	Rocker switch 0-R								
W	Rocker switch R-R								
SR	Sliding switch R-O-R								
ST	Slide switch T-0-T								
SE	Sensor button capacitive with external control electronics								
S	Sensor button capacitive without external control electronics (Consistent with V85/VV85 and V25 with interface E3xx+E4xx+E5xx+E6xx)								
Analog actuating element									
S12	Hall-Thumb rocker (see page 122) Output 0,5...2,5...4,5V inverse dual								
V21	Hall-minijoystick (see page 61) Output 0,5...2,5...4,5V inverse dual								
H13	Hall-rotary grip Output 0,5...2,5...4,5V inverse dual								
Special model									
X	Special / customer specified								

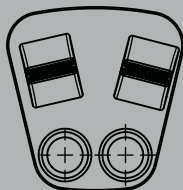


B30

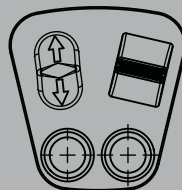
Push button
installed Pos. 1 - 8 +11
Rocker switch
installed Pos. 9+10



Edition:
installed Pos. 3+1
Rocker switch
installed Pos. 2+4
Rocker switch



Edition:
installed Pos. 3+1
Sliding switch
installed Pos. 2+4
Rocker switch



Edition:
installed Pos. 2+4
Multi-axis controller V21
installed Pos. 5+6
Rocker switch

